

FURNITURE ORDER PICKER



THE RIGHT TOOL FOR THE JOB

- ▶ Maximum Capacity of 1,600 lbs.
- ▶ AC Drive and Lift Motors
- ▶ 24V with 36V Power Option
- ▶ 366" Max Elevated Height
- ▶ Auto Locking Clamp



8BPU15 | 8BPUH15

CLASS
2

ELECTRIC MOTOR NARROW AISLE

ToyotaForklift.com

THE PICK YOU'VE BEEN WAITING FOR

UP TO **366** IN.
ELEVATED HEIGHT

THE TOYOTA FURNITURE ORDER PICKER

Whether you need to lift a couch or a dining room table, the Furniture Order Picker is up to the task. Designed to handle your pallet-less tasks, the Furniture Order Picker will accommodate carts or furniture platforms, and can lift a wide variety of large or bulky items while maximizing space utilization and providing unmatched stability and speed. Additionally, you're getting a high-performance lift with superior ergonomics, enhanced visibility for increased productivity, and an all-around power player that can take your fleet to another level.



KC7
Storage

STOP

FURNITURE ORDER PICKER ADVANTAGES

▶ **UPGRADED LIFT/LOWER SPEEDS** allows for maximum flexibility and increased accuracy while picking products

▶ **MULTIFUNCTION CONTROL HANDLE** with ergonomically positioned handgrips, dual thumbwheels, and lift, lower, and horn buttons for simplified operation of all controls with either hand

▶ **STANDARD MESH MAST GUARD** provides enhanced airflow for greater comfort and efficiency

▶ **GLANCE & GO DISPLAY** provides a quick summary of critical information

▶ **AUTO-LOCKING CLAMP** allows for quick locking onto clamp blocks on platforms or carts

▶ **AC DRIVE AND LIFT MOTORS** provide superior performance and energy efficiency as well as reduced maintenance costs due to fewer moving parts





A NAME YOU CAN TRUST

Our material handling equipment carries something no others can: The Toyota name. As one of the most recognized and respected global brands, the Toyota name is synonymous with quality, durability, and value. It also provides a peace of mind that few companies of any kind can match.

Every Toyota Forklift is built using the world-renowned Toyota Production System (TPS), which features Just-in-Time parts delivery and quality checks at every step of the manufacturing process.

It's all part of the Toyota philosophy of "kaizen," the dedication to continuous improvement. Instituted by our founder more than 80 years ago, it's a principle that still guides us today. As long as our forklifts carry the Toyota name, we'll continue striving to improve processes and quality.

COMFORTABILITY AHEAD

We designed the Toyota Furniture Order Picker for operator comfort and ease of use, starting with our intuitive and ergonomically designed control handle. Equipped with same-time speed, lift and lower function, and an on/off switch for ease of use, the Furniture Order Picker enhances productivity through design.

The advanced suspension system and hydraulic mast staging help improve operator comfort throughout a shift. Additionally, the low step height combined with the padded floor provides the operator with a comfortable ride during travel and elevation changes.

FURNITURE ORDER PICKER

CAPACITY
3000 LBS.

LOAD CENTER
24 IN.

MAXIMUM FORK HEIGHT
189 IN. - 366 IN.

INDUSTRIES



Distribution



Furniture



General
Warehousing



Retail

STANDARD FEATURES

SUPPORT

- Orange forks
- Operator Presence Sensing System (OPSS) via flush mounted pedal
- Full body harness and energy-absorbing tether¹
- Spring-applied/electric release parking brake

PERFORMANCE

- 24 Volt electrical system²
- 36 Volt electrical system³
- Independent lift, drive, and steer motors
- AC drive motor
- AC lift motor
- Regenerative plugging
- Multifunction control handle
- Fully variable lift/lower controls
- Programmable performance
- Hydraulic mast lowering deceleration
- UL "E" Construction

OPERABILITY & ERGONOMICS

- Electronic power steering
- 39" wide operator platform
- Full width operator tether bar⁴
- Low 7.75" step height
- Work material storage compartments
- Clipboard
- Automatic return to center drive wheel upon start-Up
- Drive wheel direction indicator
- Bubble cushioned floor mat
- Spring platform suspension system
- Anti-rattle mast
- Cushioned mast stops
- Cushioned mast staging

SERVICEABILITY

- 4 function hour meter
 - Key on
 - Deadman pedal
 - Hydraulic
 - Distance traveled
- No tools high-impact service access covers
- On-board diagnostics
- Battery compartment rollers
- Emergency manual lowering valve
- Battery discharge indicator w/lift interrupt

¹ For operator weights up to 310 lbs.

² 8BPU15 models only.

³ 8BPUH15 model only.

⁴ 450 lb. capacity.

OPTIONAL EQUIPMENT

MAST OPTIONS

- Full-free lift three-stage mast with lowered freelif cylinder (FSV)
- Full-free lift three-stage mast (FSV)

BODY OPTIONS OR PLATFORM OPTIONS

- Full body harness with retractable tether
- Operator cooling fan
- RF terminal bracket w/ power hookup
- Power hook-up for on-board terminal
- 1.25" - 5" pallet clamp opening
- 2.5" - 6" pallet clamp opening
- Various fork lengths
- Electronic passkey
- Flip-up sidegate power disconnection switch
- Extended operator platform widths (44 - 67 inches)

LIGHTING OPTIONS

- LED operator compartment light
- Overhead guard mounted LED work area lights
- Blue spot light

BATTERY OPTIONS

- Battery sidegate interlock
- 14.5", 16.5", 18.5", 21.25" battery compartment widths (not available on all models)

SPECIAL MODELS

- UL Type "E" Rating
- UL Type "EE" Rating
- Cold storage conditioning

PRODUCTIVITY OPTIONS

- Lift Logic (linear speed control system)
- Elevated travel speed enhancement
- Double rail guidance
- End of aisle slowdown
- Lift limit with bypass
- Lower limit with bypass
- Keyless on/off switch

Optional equipment and features may vary by model and configuration, and may not be appropriate for all applications and circumstances. Please contact your local, authorized Toyota Dealer for a complete list of available options and review the Features Brochure for a more thorough discussion on the appropriate applications for many of these options.

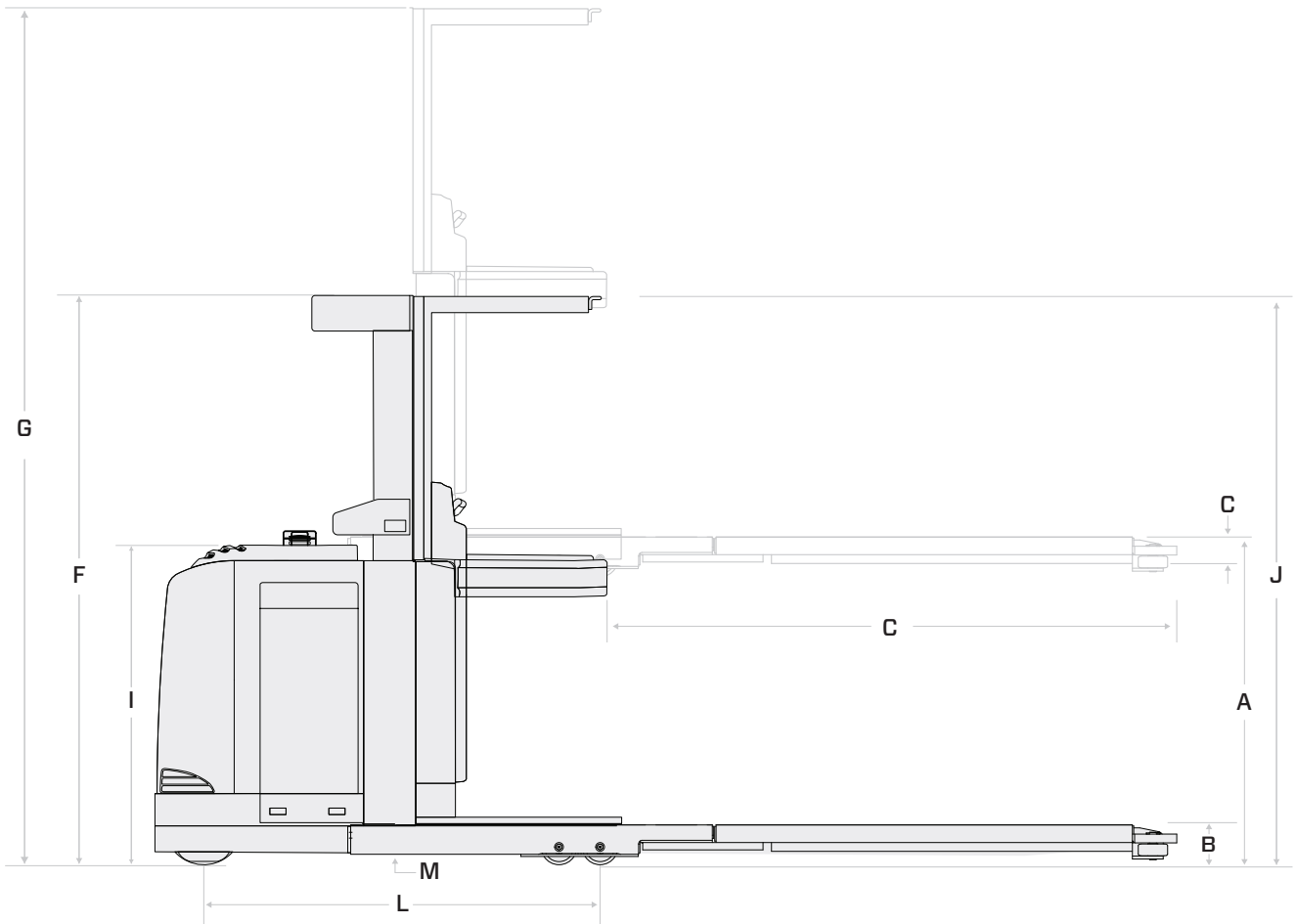
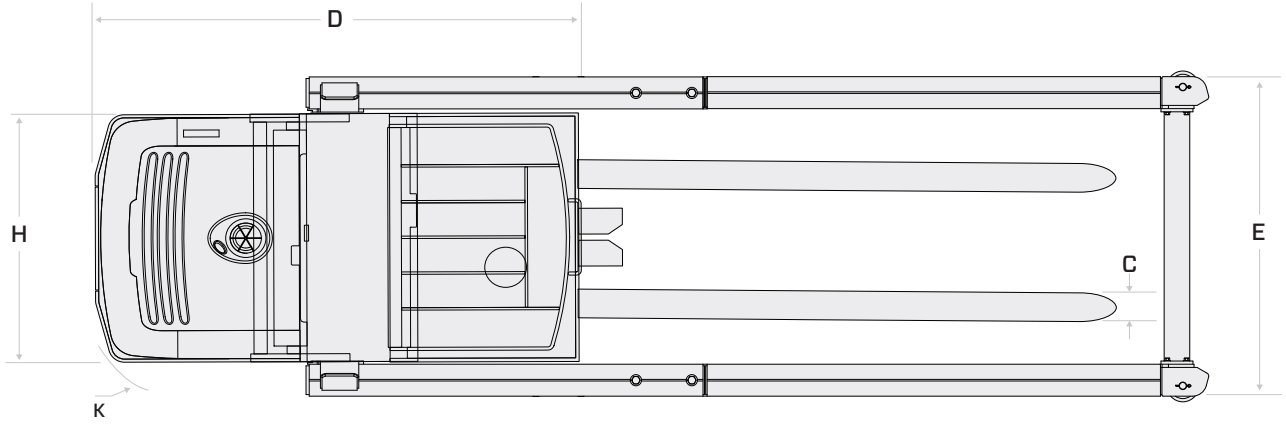


TRUCK SPECIFICATIONS

				MODEL NUMBER	
GENERAL DATA				8BPU15	8BPUH15
Load Capacity		lb (kg)		3000 (1360)	3000 (1360)
Load Center		in (mm)		24 (600)	24 (600)
Power Type				Battery	Battery
	Voltage	V		24	36
Operator Compartment	Length	in (mm)		28.5 (724)	28.5 (724)
	Width	in (mm)		39 (990)	39 (990)
	Height	in (mm)		78.1 (1984)	78.1 (1984)
Battery Compartment	Length	in (mm)		14.5 (365)	13.75 (349)
	Width ^{1,2}	in (mm)		36.52 (927)	38.56 (979)
	Height	in (mm)		31.5 (800)	31.5 (800)
Battery Roller	Height	in (mm)		7 (178)	7 (178)
Operator Position				Stand-Up Rider	Stand-Up Rider
Tire Type	Drive / Load			Polyurethane / Polyurethane	Polyurethane / Polyurethane
Wheels (x = driven)	Drive / Load			1x / 4	1x / 4
EXTERIOR DIMENSIONS				8BPU15	8BPUH15
A Maximum Fork Height (MFH)		in (mm)		See Mast Specs Table	See Mast Specs Table
B Free-Lift		in (mm)		See Mast Specs Table	See Mast Specs Table
C Fork Size (T x W x L)		in (mm)		1.5 x 4 x 42 (38 x 100 x 1070)	1.5 x 4 x 42 (38 x 100 x 1070)
D Length to Fork Face (truck length)		in (mm)		74 (1880)	74 - 83.75 (1880 - 2127)
E Base Legs Overall Width (DAW)		in (mm)		40 - 60 (1015 - 1524)	40 - 60 (1015 - 1524)
F Mast Lowered Height		in (mm)		See Mast Specs Table	See Mast Specs Table
G Mast Extended Height		in (mm)		See Mast Specs Table	See Mast Specs Table
H Power Unit Width		in (mm)		40 (1015)	40 (1015)
I Power Unit Height		in (mm)		47(1194)	47(1194)
J Overhead Guard Height		in (mm)		88.25 (2242)	88.25 (2242)
K Turning Radius		in (mm)		72.15 (1833)	72.15 (1833)
PERFORMANCE DATA				8BPU15	8BPUH15
Travel Speed	Maximum	mph (km/h)		6.5 (10.5)	6.5 (10.5)
TRUCK WEIGHTS				8BPU15	8BPUH15
Total Weight (without battery)		lb (kg)		See Mast Specs Table	See Mast Specs Table
Weight Distribution (with standard battery)	Full Load	A (drive tire)	%	24	24
		B / C	%	38 / 38	38 / 38
	No Load	A (drive tire)	%	56	56
		B / C	%	22 / 22	22 / 22
TIRES				8BPU15	8BPUH15
Tires	Number (front / rear)			1 / 4	1 / 4
	Size (dia. x width)	Drive	in (mm)	12 x 5 (305 x 100) ¹	12 x 5 (305 x 100)
		Load	in (mm)	6 x 3.6 (150 x 90)	6 x 3.6 (150 x 90)
L Wheelbase			in (mm)	60 (1524)	60 (1524)
Underclearance	M Center of Wheelbase	in (mm)		2 (51)	2 (51)
Grade Clearance			%	13	13
Brake Pedal				Electronic Disc Brake	Electronic Disc Brake
POWER SYSTEM				8BPU15	8BPUH15
Battery (6-hour rating)	Voltage / Capacity		V / Ah	24 / 1085	36 / 775 ²
	Weight	Minimum	lb (kg)	920 - 1600 (410 - 725)	1600 - 2600 (725 - 1179)
		Maximum	lb (kg)	2000 (907)	2000 - 2900 (907 - 1315)
Electric Motors	Drive/Load		hp (kW)	6.3 (4.7)	6.97 (5.2)
	Load Handling		hp (kW)	14.1 (10.5)	14.08 (10.5)
	Power Steering		hp (kW)	.5 (.37)	.5 (.37)
Control Type	Drive			Transistor	Transistor
	Load Handling			Transistor	Transistor
	Power Steering			Transistor	Transistor

¹ Mast fork heights taller than 315 inches or battery compartments 18.5 inches and larger will receive 13.5 inch drive tire.
² For standard battery compartment size only.

EXTERIOR DIMENSIONS



MAST SPECIFICATIONS

MAST TYPE	MAXIMUM FORK HEIGHT (TOP OF FORKS)	OVERALL HEIGHT		FREELIFT	TRUCK WEIGHT (WITHOUT BATTERY)
		LOWERED	EXTENDED		
		in (mm)	in (mm)		
8BPU15					
Full Free-Lift 3-Stage (FSV)	189 (4800)	88 (2235)	274 (6960)	3 (76)	4780 (2170)
	210 (5334)	95 (2413)	295 (7493)	10 (254)	5065 (2300)
	240 (6096)	107 (2718)	325 (8255)	22 (559)	5615 (2549)
	273 (6934)	118 (2997)	358 (9093)	33 (838)	5910 (2683)
	300 (7620)	127 (3226)	385 (9779)	42 (1067)	6100 (2769)
	315 (8001)	132 (3353)	400 (10160)	47 (1194)	6235 (2831)
	330 (8382)	141 (3581)	415 (10541)	56 (1422)	6439 (2923)
	348 (8839)	147 (3734)	433 (10998)	62 (1575)	6684 (3035)
Full Free-Lift 3-Stage (FSV) with Lowered Freelif Cylinder	366 (9296)	153 (3886)	451 (11455)	68 (1727)	6930 (3146)
	272 (6909)	123 (3124)	358 (9093)	38 (965)	5950 (2699)
	300 (7620)	136 (3454)	385 (9779)	51 (1295)	6275 (2846)
	315 (8001)	144 (3658)	400 (10160)	59 (1498)	6550 (2971)
	330 (8382)	159 (4039)	415 (10541)	74 (1880)	6750 (3062)
	348 (8839)	165 (4191)	433 (10998)	80 (2032)	6850 (3107)
	366 (9296)	171 (4343)	451 (11455)	86 (2184)	7050 (3198)

MAST TYPE	MAXIMUM FORK HEIGHT (TOP OF FORKS)	OVERALL HEIGHT		FREELIFT	TRUCK WEIGHT (WITHOUT BATTERY)
		LOWERED	EXTENDED		
		in (mm)	in (mm)		
8BPUH15					
Full Free-Lift 3-Stage (FSV)	189 (4800)	88 (2235)	274 (6960)	3 (76)	4780 (2170)
	210 (5334)	95 (2413)	295 (7493)	10 (254)	5065 (2300)
	240 (6096)	107 (2718)	325 (8255)	22 (559)	5615 (2549)
	273 (6934)	118 (2997)	358 (9093)	33 (838)	5910 (2683)
	300 (7620)	127 (3226)	385 (9779)	42 (1067)	6100 (2769)
	315 (8001)	132 (3353)	400 (10160)	47 (1194)	6235 (2831)
	330 (8382)	141 (3581)	415 (10541)	56 (1422)	6439 (2923)
	348 (8839)	147 (3734)	433 (10998)	62 (1575)	6684 (3035)
Full Free-Lift 3-Stage (FSV) with Lowered Freelif Cylinder	366 (9296)	153 (3886)	451 (11455)	68 (1727)	6930 (3146)
	272 (6909)	123 (3124)	358 (9093)	38 (965)	5950 (2699)
	300 (7620)	136 (3454)	385 (9779)	51 (1295)	6275 (2846)
	315 (8001)	144 (3658)	400 (10160)	59 (1498)	6550 (2971)
	330 (8382)	159 (4039)	415 (10541)	74 (1880)	6750 (3062)
	348 (8839)	165 (4191)	433 (10998)	80 (2032)	6850 (3107)
	366 (9296)	171 (4343)	451 (11455)	86 (2184)	7050 (3198)

TRAVEL SPEED LIMITS

MAXIMUM FORK HEIGHT in (mm)	STEERING ANGLE $\leq 10^\circ$		STEERING ANGLE $> 10^\circ$	
	MAXIMUM TRAVEL SPEED mph (km/h)		MAXIMUM TRAVEL SPEED mph (km/h)	
	TRACTOR FIRST	FORKS FIRST	TRACTOR FIRST	FORKS FIRST
STANDARD				
0-24 (0-600)	6.5 (10.5)	5.5 (8.9)	6.5 (10.5)	5.5 (8.9)
24-60 (600-1524)	6.0 (9.7)	5.5 (8.9)	2.5 (4.0)	2.5 (4.0)
60-150 (1524-3810)	3.0 (4.8)	3.0 (4.8)	1.0 (1.6)	1.0 (1.6)
150 (3810) & higher	1.0 (1.6)	1.0 (1.6)	0.0 (0.0)	0.0 (0.0)
WITH ELEVATED SPEED ENHANCEMENT OPTION				
0-24 (0-600)	6.5 (10.5)	5.5 (8.9)	6.5 (10.5)	5.5 (8.9)
24-60 (600-1524)	6.0 (9.7)	5.5 (8.9)	2.5 (4.0)	2.5 (4.0)
60-120 (1524-3045)	4.3 (6.9)	4.3 (6.9)	1.0 (1.6)	1.0 (1.6)
120-180 (3048-4572)	2.7 (4.3)	2.7 (4.3)	0.0 (0.0)	0.0 (0.0)
180 (4572) & higher	1.0 (1.6)	1.0 (1.6)	0.0 (0.0)	0.0 (0.0)
WITH LIFT LOGIC OPTION				
0-24 (0-600)	6.5 (10.5)	5.5 (8.9)	6.5 (10.5)	5.5 (8.9)
24-60 (600-1524)	6.0 (9.7)	5.5 (8.9)	2.5 (4.0)	2.5 (4.0)
60-240 (1524-6096)	Linear speed reduction ¹	5.5 mph up to 78 inches, then linear speed reduction ¹	-	-
60-150 (1524-3810)	-	-	1.0 (1.6)	1.0 (1.6)
240-390 (6096-9906)	1.0 (1.6)	1.0 (1.6)	-	-
150-366 (3810-9296)	-	-	0.0 (0.0)	0.0 (0.0)

¹ Linear speed reduction equals approximately 1mph reduction for every 36 inches of increased height.



WORLD-CLASS MATERIAL HANDLING SOLUTIONS

PARTNER WITH TOYOTA, AND LET US HELP DEVELOP THE RIGHT SOLUTION FOR YOU.

With access to the world's industry-leading lineup of material handling products, Toyota dealers are uniquely positioned to help you solve your wide-ranging challenges. Built for every application, Toyota can provide the most complete set of solutions for material handling, automation, energy, advanced logistics, and warehouse optimization.

Toyota is here to help optimize your business for maximum efficiency. Utilizing Toyota Lean Management principles, Toyota dealers can provide insights and develop appropriate plans to tackle your specific operational needs. This unique approach to optimization and elimination of waste can provide you with significant competitive advantages and a sustainable lean culture for lasting process improvement.

Visit us at: ToyotaForklift.com for more information.

