

CORE TOW TRACTOR



TOW-IT-ALL

- ▶ 10000 lb. Towing Capacity
On Level Surfaces
- ▶ 9.0 mph Travel Speed Without Load
- ▶ Power Steering
- ▶ 24-Volt AC Drive System
- ▶ Regenerative Plugging



8TB50

PLENTY OF PULL FOR THE JOB

THE TOYOTA CORE TOW TRACTOR. From A to Z, the Core Tow Tractor gets you there. Quickly and efficiently. It's the ideal solution for transporting material and pulling carts through a facility when no vertical lift is required. An AC Drive System boosts productivity and efficiency while making it simple to maintain.

CORE TOW TRACTOR ADVANTAGES

- ▶ **24-VOLT AC DRIVE SYSTEM** for optimal performance in the toughest applications
- ▶ **GENEROUS 10000 LB. TOWING CAPACITY ON LEVEL SURFACES**
- ▶ **MULTIFUNCTION CONTROL HANDLE** with ergonomically positioned handgrips for simplified operation of all controls with either hand
- ▶ **TIGHT TURNING RADIUS** advantageous for cramped, busy work environments
- ▶ **AXLE-WELDMENT RUBBER SUSPENSION** system for a smoother ride
- ▶ **QUICK-RELEASE TOW HITCH** option lets operator release carts without leaving operator compartment, streamlining work operations
- ▶ **POWER STEERING** comes standard for effortless steering, improved ergonomics, and unmatched control
- ▶ **AGV MODEL AVAILABLE** for automated towing operations while allowing manual control as needed





10000^{LB.}

CAPACITY
ON LEVEL SURFACES

9.0^{MPH}

TRAVEL SPEED
WITHOUT LOAD

24^V

AC DRIVE SYSTEM

CORE TOW TRACTOR

TOWING CAPACITY
10000 LBS.
on level surfaces

DRAWBAR PULL
750 LBS.

VOLTAGE
24

INDUSTRIES



Beverage



General
Manufacturing



General
Warehousing

STANDARD FEATURES

PERFORMANCE

- AC drive motor with thermal protection & current limiting
- 24-Volt electrical system
- Hour meter reading
- Regenerative plugging
- Programmable performance
 - Adjustable maximum speed
 - Adjustable acceleration
- On/off key switch
- Multiple hour meter indicator
- Battery discharge indicator
- Fused control & power circuits

BODY/EXTERIOR DESIGN

- 31.75"-long x 13.44"-wide battery compartment
- SB-175 battery connector (gray)
- Cold storage conditioning
- Wrap-around hand guard
- Adjustable power steer control handle
- Top Adjust Caster Wheels
- Electronic horn

ERGONOMICS

- Multifunction control handle with ergonomically angled handgrips & wrap-around hand guard
- Dual thumbwheels with twist grips for directional control & travel speed
- Intuitively positioned lift/lower & horn buttons
- High-speed interlock button
- Cushioned operator floor mat, padded backrest & knee pad
- Walk-through operator compartment
- Low platform step height
- Low-effort power steering with adjustable height control handle

DURABILITY

- Control Area Network (CAN-bus) communications
- Welded construction with reinforced heavy-duty bumper
- Powder coat paint finish
- Steel bulkhead wrappers
- High-strength polymer service cover
- Rubber drive tire
- Polyurethane rear wheels (durometer 95)
- Hall-effect switches

SERVICEABILITY

- AC drive motor (no brushes or commutator)
- One-piece, lightweight service access cover
- Self-diagnostics
- Self-adjusting electric disc brake with plugged stopping

OPTIONAL EQUIPMENT

- Electronic travel alarm (forward & reverse)
- Controller splash guard
- Keyless on/off switch
- Power hookup for onboard terminal (24-Volt, 2 amp)
- Power hookup for onboard terminal (24-Volt, 10 amp)
- Storage tray, battery compartment mounted
- Steel bumper skirt (2.25" underclearance)
- Automatic coupler tow hitch
- Pin & clevis tow hitch
- Rubber block suspension system
- 42" tow tractor hitch
- Steering bearing, greaseable
- 6" extended operator compartment
- Battery compartment rollers with dual side gates
- Battery side gate interlock switches
- 32"-high battery retaining wall
- Battery spacer kit
- Polyurethane drive tire
- Non-marking rubber drive tire
- Various drive tire compounds
- Caster Wheels w/ Food Grade Grease
- Load wheels (durometer 85)
- Special paint color, complete truck
- UL-approved model type "E" rating
- UL-approved model type "EE" rating
- Factory pre-programmed maximum travel speed of 5 mph
- Accessory bar (single and double tier)
- Operator fan
- LED work light
- Large storage tote, battery mounted
- Manual steering
- Manual steer, spring-loaded with deadman brake
- Move battery connection to right side of truck
- Multiple optional battery connectors
- Operator Compartment Sensor System
- Forward travel alarm
- Forward/reverse travel alarm
- Smoothy drive tire
- Poly Dyalon B drive tire

Please contact your local, authorized Toyota Dealer for a complete list of available options.

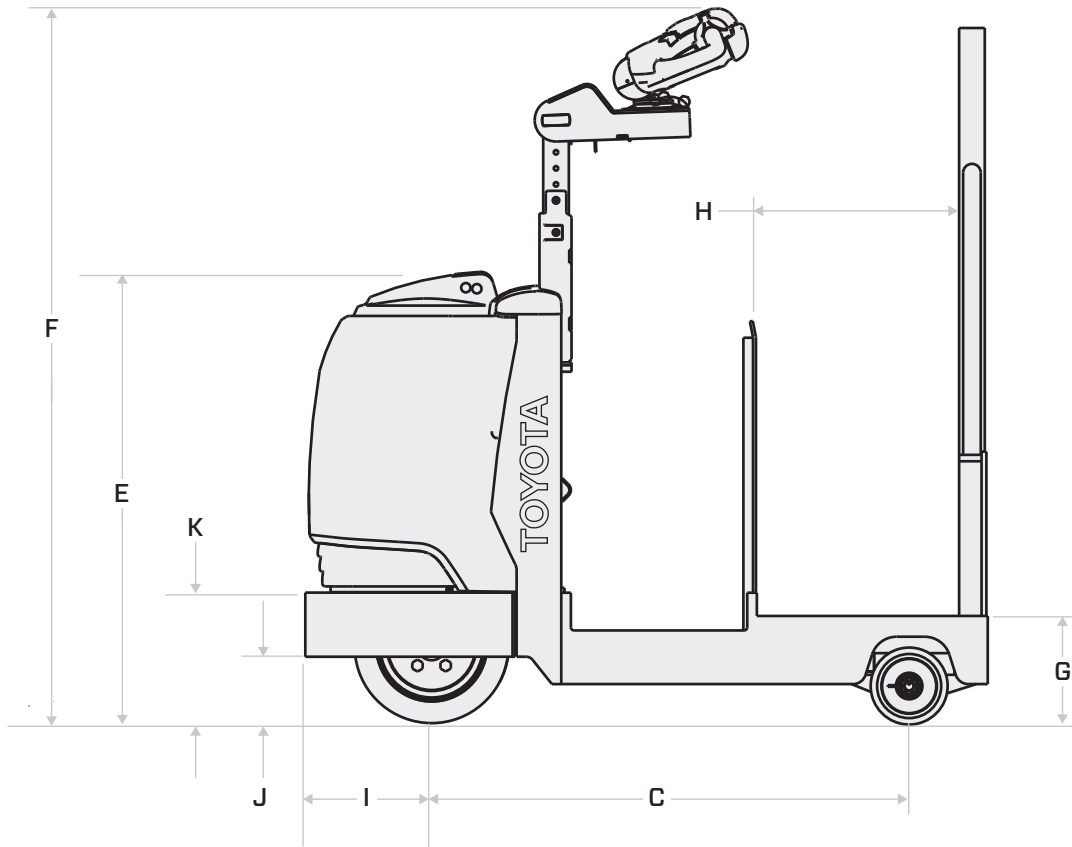
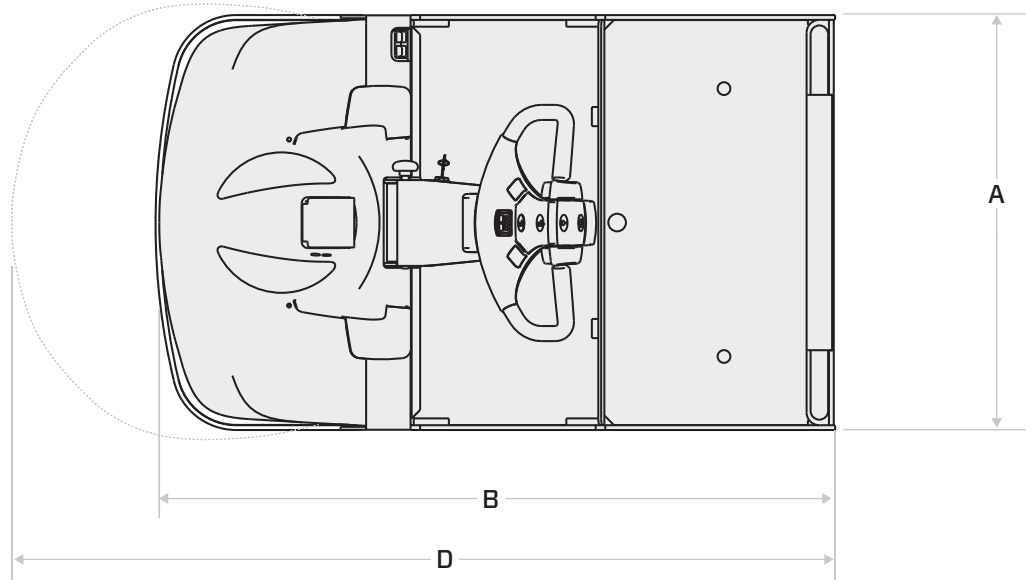


TRUCK SPECIFICATIONS

MODEL NUMBER

GENERAL DATA			8TB50	
Load Capacity	lb (kg)		10000 (4540) on level surfaces	
Power Type			Battery	
Operator Position			Center-Controlled Rider	
Tire Type	Drive / Caster / Load		Rubber / Polyurethane / Polyurethane	
Wheels (x = driven)	Front / Rear		1 Drive, 2 Casters / 2 Rear	
EXTERIOR DIMENSIONS			8TB50	
A	Overall Width	in (mm)	32.5 (826)	
B	Overall Length	in (mm)	53.25 (1353)	
C	Wheelbase	in (mm)	37.38 (949)	
D	Turning Radius	in (mm)	47.25 (1200)	
E	Power Unit Height	in (mm)	31.4 (798)	
F	Handle Height Adjustment Range	in (mm)	41.5 (1054) - 49.0 (1245)	
G	Operator's Platform Height	in (mm)	8.3 (211)	
H	Operator's Platform Depth	in (mm)	15.8 (401)	
I	Distance from Bumper to Center of Drive Tire	in (mm)	9.9 (251)	
J	Bumper Underclearance	in (mm)	4.75 (121)	
K	Bumper Height	in (mm)	9.75 (248)	
	Gross Weight Without Battery	lb (kg)	1190 (540)	
PERFORMANCE DATA			8TB50	
Travel Speed	Full Load	mph (km/h)	5.8 (9.3)	
	No Load	mph (km/h)	8.8 (14.2)	
Drawbar Pull	Continuous	lb (kg)	250 (114)	
	Maximum	lb (kg)	750 (341)	
TIRES			8TB50	
Tires	Number	Front / Rear	3 / 2	
	Size (dia. x width)	Drive (front)	in (mm)	12 x 4.75 (305 x 121)
		Caster (front)	in (mm)	4 x 2.5 (102 x 64)
		Rear	in (mm)	6 x 3.25 (152 x 82)
POWER SYSTEM			8TB50	
Battery	Voltage/Capacity	V / Ah	24 / 750	
	Connector (Color)		SB-175 (gray)	
	Connector Cable Location		B	
	Connector Cable Length	in (mm)	18 (457)	
Battery Compartment	Width	in (mm)	31.5 (800)	
	Length	in (mm)	13.44 (341)	
	Height	in (mm)	-	
Battery Weight	Maximum	lb (kg)	1500 (680)	
	Minimum	lb (kg)	965 (435)	
Electric Motors	Drive (60 minutes)	hp (kW)	5.5 (4.1)	
Control Type	Drive		Transistor	

EXTERIOR DIMENSIONS





“THE NAME ON MY SHIRT SAYS TOYOTA, BUT I WORK FOR YOU.”

Alan – 360 Technician, Atlas Toyota Material Handling, Chicago, IL



HELP IS ALWAYS HERE WITH TOYOTA 360 SUPPORT.

The industry's best and most comprehensive dealer network quickly delivers Toyota Certified Technicians to your work site. These specially trained technicians can also help assess your warehouse and facility needs to recommend the right equipment for the job. And with the largest fleet of used and rental material handling products, Toyota 360 keeps your business running at full speed.

ToyotaForklift.com/360-Support



YOUR BUSINESS IS RIDING ON IT

Some product features described herein are optional. Please consult your dealer for specifications. Details of specifications and equipment are based on information available at time of printing and may change without notice. Photos may not reflect physical trucks.



007228TBCB

©2023 Toyota Material Handling, Inc.