

MOVING MAST REACH TRUCK



MOVING ON UP

- ▶ Up to 512" Lift Height
- ▶ Up to 5,500 lb. Capacity
- ▶ Tilting Operator Compartment
- ▶ Interactive Touchscreen Display
- ▶ Fully Adjustable Compartment
- ▶ Transitional Lift Control
- ▶ 360-degree or 180-degree Steering
- ▶ Cold Storage Cab Option



RRE140-250H/HC/HE/HEC/HCC/HECC

CLASS
2

ELECTRIC MOTOR NARROW AISLE

ToyotaForklift.com

VERSATILITY YOU CAN COUNT ON

UP TO
512 IN.
LIFT HEIGHT

TOYOTA'S MOVING MAST REACH TRUCKS are in a class all their own when it comes to productivity, performance, and efficiency. These powerful lifts are equipped with innovative ergonomics and technology and offer clear and precise control for fast and smooth handling shift after shift. The Toyota Moving Mast Reach Truck delivers the perfect lift to fit your operation's needs, even for the most demanding applications.



PERFORMANCE WITH PRECISION

Warehouses continue to build upward due to space constraints, meaning operators are required to work at higher lift heights that can be difficult to see from the ground level. The high-performance Moving Mast Reach Trucks increase productivity and visibility at height thanks to an innovative mast design, a revolutionary tilting operator compartment*, and an optional transparent roof that delivers exceptional visibility.

Designed with the operator in mind, the transparent roof combined with unique mast design offers the operator superb upward visibility with minimal load view obstruction. The unique optional tilting operator compartment reduces the risk of strain for the operator in repetitive high-level applications. It improves the visibility of the load – allowing the operator to see the fork tips when elevated without moving their head. The optional fork laser enhances this even further by helping to pick pallets faster while minimizing damage.

SEEING PAST THE MAST

Operators will love the fully adjustable compartment, featuring an adjustable seat, control handle, armrest, steering console, and more. The compartment floor quickly adjusts to improve operator comfort and support. A new optional air-suspension seat makes sure operators can complete their heavy lifting with ease.

*Optional

INTERACTIVE TOUCHSCREEN DISPLAY

Each Toyota Moving Mast Reach Truck comes standard with an intuitive touchscreen display that includes optional functions like lift height and warnings for overload.

Driver Control

- Automatic speed control, fork leveling, and centering.

Optional Lift Mode

- Driver will get continuous updates on lift height, load weight indicator, and fork alignment

Customizable performance and operating characteristics to meet your operation's needs



Interactive touchscreen display

- ▶ Forward Tilt: Up to 2 degrees
- ▶ Backward Tilt: Up to 4 degrees
- ▶ Programmable to Suit Operator's Preference
- ▶ Reduces Risk of Operator Strain
- ▶ Offers Clear View At Height



MOVING MAST REACH TRUCK ADVANTAGES

- ▶ **AN INTUITIVE RIGHT-HAND MAIN CONTROL CONSOLE** allows the operator to choose between mini-joystick controls or multifunction controls to maximize productivity and comfort

- ▶ **THE OPTIONAL AIR-RIDE SUSPENSION SEAT** ensures operator comfort. Easily adjust the compartment floor height with the touch of a button (optional) to further improve driver ergonomics

- ▶ **TRANSITIONAL LIFT CONTROL** provides shock-free lifting and lowering, allowing operators to maintain maximum load-handling speeds

- ▶ **THE CONTINUOUS 360-DEGREE STEERING*** wheel movement without end positions, enables smooth and fast maneuvering with a change of direction. The steering unit with palm support offers enhanced touch sensitivity and feel



*Optional

TOYOTA MOVES WITH YOU



A NAME YOU CAN TRUST

Our material handling equipment carries something no others can: The Toyota name. As one of the most recognized and respected global brands, the Toyota name is synonymous with quality, durability, and value. It also provides a peace of mind that few companies of any kind can match.

Every Toyota Forklift is built using the world-renowned Toyota Production System (TPS), which features Just-in-Time parts delivery and quality checks at every step of the manufacturing process.

It's all part of the Toyota philosophy of "kaizen," the dedication to continuous improvement. Instituted by our founder more than 80 years ago, it's a principle that still guides us today. As long as our forklifts carry the Toyota name, we'll continue striving to improve processes and quality.

THE TOYOTA 360 SUPPORT PROMISE

In addition to moving more pallets more quickly through your facility, you can count on Toyota's dedication to quality and world-renown manufacturing methods to deliver unprecedented uptime and lower maintenance costs. Toyota 360 Support comes standard with every Toyota Reach Truck, meaning you benefit from an industry-leading two-year parts warranty, the support of over 65 dealerships, 3500+ Toyota Certified Technicians, and guaranteed 4-hour emergency response time.

65⁺
DEALERSHIPS

3500⁺
TOYOTA CERTIFIED TECHNICIANS

4-HOUR
GUARANTEED
EMERGENCY RESPONSE TIME

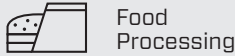
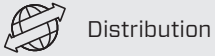
MOVING MAST REACH TRUCK

CAPACITY
3000-5500 LBS.

LOAD CENTER
24 IN.

MAXIMUM FORK HEIGHT
433 - 512 IN.

INDUSTRIES



STANDARD EQUIPMENT

PERFORMANCE

- 48 Volt Electrical System
- AC Powered Drive System
- AC Hydraulic System
- Variable Speed Lift and Lowering
- Electric Power Steering
- Current controlled proportional valve
- Lowering flow limiter
- Lift system relief valve
- Optimized Cornering Control
- Optimized Reach Control
- Interactive Digital Display Panel
 - Multifunctional Hour Meter
 - Time & Date Display
 - Programmable Travel and Acceleration Speeds
 - Lift/Lower Speeds
 - Fault Code Memory

OPERABILITY

- Selectable 360-degree or 180-degree Electronic Power Steering
- Wide-View 3-Stage Mast (FSV)
- View-through Carriage
- 35.4 in. to 51.2 in. Base Leg Openings (ID)
- Polyurethane Drive Tire (11.8 in. dia. x 4.2 in.)
- Polyurethane Load Wheels (13.8 in. x 5.5 in.)
- Regenerative Braking
- 39.4 in. Load Backrest Extension
- ITA Class II Hook-Type Carriage (31 in. Wide)
- Forks: 1.57 in. x 4 in. x 45.28 in.
- Proportional plugging
- Transitional Lift Control
- Steering Direction Indicator

ERGONOMICS

- Automatic Tilting Operator Compartment⁴
- Seated Operator Compartment
- Manually Adjustable Height Floor
- Adjustable Armrest with Fingertip Controls
- High Visibility Overhead Guard
- Adjustable Steering Wheel

SERVICEABILITY

- Battery Extraction by Mast
- Euro-style Battery Connector
- Battery Discharge Indicator w/ Lift Interrupt
- Self Diagnostics
- Built-In Analyzer
- Over Temperature Indicator w/ Protection
 - On Drive & Lift Motor
- Electric Disc Brake
- Emergency Power Shut-Down
- Electric Horn
- Operator PIN Code Access
- Enclosed Battery Compartment:
 - 10.8 in. x 47.7 in. x 30.9 in.¹
 - 13.7 in. x 47.7 in. x 30.9 in.²
 - 16.5 in. x 47.7 in. x 30.9 in.
 - 19.3 in. x 47.7 in. x 30.9 in.³

¹ Available on RRE140.160HE, RRE140.160HEC models only.

² Available on RRE140.160.180.200HE, RRE140.160.180.200HEC models only.

³ Available on RRE160.180.200.250HE, RRE160.180.200.250HEC models only.

⁴ Available on RRE140.160.180.200.250HE/HEC/HECC models only.

OPTIONS AVAILABILITY CHART

LOAD HANDLING

- Various Optional Fork Lengths
- Remove Forks
- Various Load Backrest Extensions
- Fork Carriage with Sideshifting Fork Positioner
- Fork Carriage prep for Attachment
- Integral Sideshifting Fork Positioner with Postion Past Centerline
- Optional Fork Tilt, 0.5° Fwd / 4° Back
- Optional Fork Tilt, 1° Fwd / 4° Back
- Various hosing and hose reel options

OPERATOR COMPARTMENT

- Standard Operator Compartment
- Cold Storage Conditioning for Operator Compartment
- Automatic Tilting Operator Compartment
- Heated, Enclosed Cabin for non-Tilting Cab
- Heated, Enclosed Cabin for Tilting Cab

BATTERY COMPARTMENT

- Various Battery Compartment Options
- Various Battery Changing Equipment
- Protection for Battery Cable Arm

BODY

- Steel Mesh Mast Guard
- Steel Mesh Overhead Guard Cover
- Steel Mesh Overhead Guard Cover
- Electrically Heated Front Door & Window
- Electrically Heated Side Window
- Electrically Heated Roof Window
- Intercom System for Heated Compartment
- Reading Light for Heated Compartment
- Manual Windshield Wiper for Heated Compartment

LIGHTS, INDICATORS, & MISCELLANEOUS

- Various LED Work Lights
- Amber Strobe Light
- Blue LED Spot Lights
- Red LED Spot Lights
- Height Indicator
- Load Information Display
- Overload Warning System
- Fork Position Laser
- Auto Height Select
- Lift Limit with Override
- Fork-mounted Camera System
- Mast-mounted Camera System
- Rear View Mirror
- Turn Signal Lights
- Bluetooth Speakers
- Horizontal Accessory Bar
- Mounting Bracket for Inventory Computer Keyboard
- Mounting Bracket for Inventory Computer
- Transparent Clipboard
- Various Power Supply Options
- Small Item Holder, Single
- Small Item Holder, Double
- Scanner Holder
- Programmable Travel Alarm
- Drive Motor Cooling Fans for High-Temp Applications
- Spring-loaded, Adhesive-backed Paper Clip

PERFORMANCE

- High Performance Travel Speed
- High Performance Lift Speed
- Stabilizer Blocks
- Without Stabilizer Blocks

WHEELS AND TIRES

- Various Baseleg Dimensions
- Various Load Wheel Sizes
- Load Wheel Protective Caps

COMFORT & OPERABILITY

- Multifunction Control Handle
- 360-degree or 180-degree Steering
- Various Seat and Heated Seat Options
- Adjustable Arm Rest
- Hip Side Bolster
- Electric Power Floor Height Adjustment
- Transparent Overhead Guard
- Automatic Tilt Centering
- Automatic Sideshift Centering
- Integral Side Shifter (3 in. each way)

MAIN VEHICLE SPECIFICATIONS

MODEL NUMBERS

GENERAL DATA				RRE140H			RRE160H			
Load Capacity ¹		lb (kg)		3000 (1400)			3500 (1600)			
Load Center		in (mm)		24 (600)			24 (600)			
Battery Compartment Size				10.8	13.7	16.5	10.8	13.7	16.5	19.3
Power Type				Battery			Battery			
Operator Position				Rider Seated			Rider Seated			
EXTERIOR DIMENSIONS				RRE140H BATTERY COMPARTMENT SIZE			RRE160H BATTERY COMPARTMENT SIZE			
				10.8"	13.7"	16.5"	10.8"	13.7"	16.5"	19.3"
A	Fork Lowered Height	in (mm)		2.2 (55)			2.2 (55)			
B	Maximum Fork Height (MFH) ¹	in (mm)		433.1 (11000)			433.1 (11000)			
C	Free Lift	in (mm)		129.1 (3279)			129.1 (3279)			
D	Tilt Range	Fwd/Bwd deg		2/4			2/4			
E	Mast Lowered Height ¹	in (mm)		166.2 (4221)			166.2 (4221)			
F	Mast Extended Height ¹	in (mm)		472.4 (12000)			472.4 (12000)			
G	Overhead Guard Height	in (mm)		86.5 (2198)			86.5 (2198)			
H	Fork Carriage Height	in (mm)		39.4 (1000)			39.4 (1000)			
I	Seat Height	in (mm)		44.7 (1136)			44.7 (1136)			
J	Optional Battery Roller Height	in (mm)		11.5 (293)			11.5 (293)			
K	Wheelbase	in (mm)		51.6 (1311)			54.9 (1395)			
L	Underclearance (center of wheelbase)	No Load in (mm)		2.9 (74)			2.9 (74)			
M	Head Length (Length to fork face)	in (mm)		49.7 (1263)	52.6 (1335)	55.7 (1416)	49.7 (1263)	52.6 (1335)	55.4 (1407)	58.6 (1488)
N	Truck Length (Length to tip of forks, retracted)	in (mm)		95 (2413)	97.8 (2485)	101 (2566)	95 (2413)	97.8 (2485)	101 (2566)	104.2 (2647)
O	Fork Size	T x W x L in (mm)		1.57 x 4 x 45.28 (40 x 100 x 1150)			1.57 x 4 x 45.28 (40 x 100 x 1150)			
P	Fork Adjustment	Min./Max. in (mm)		9.9 / 27.5 (252 / 698)			9.9 / 27.5 (252 / 698)			
Q	Base Leg Inside Dimension (ID)	in (mm)		35.4 - 43.3 (900 - 1100)			35.4 - 43.3 (900 - 1100)			
R	Base Leg Outside Dimension (OD)	in (mm)		50.0 - 57.9 (1270 - 1470)			50.0 - 57.9 (1270 - 1470)			
S	Truck Mast Overall Width	in (mm)		28.2 (716)			28.2 (716)			
T	Overall Truck Width	in (mm)		50.0 - 57.9 (1270 - 1470)			50.0 - 57.9 (1270 - 1470)			
U	Outside Turning Radius	in (mm)		61.9 (1573)			65.2 (1657)			
	Reach Stroke	in (mm)		19.9 (506)			23.2 (590)			
	Basic Right Angle Stacking Aisle Width ¹			Contact Dealer			Contact Dealer			
PERFORMANCE DATA				RRE140H BATTERY COMPARTMENT SIZE			RRE160H BATTERY COMPARTMENT SIZE			
				10.8"	13.7"	16.5"	10.8"	13.7"	16.5"	19.3"
Speeds (Maximum)	Travel	Full Load	mph (km/h)	6.4 (10.3)			6.2 (10)			
		No Load	mph (km/h)	6.8 (11)			6.8 (11)			
	Lifting	Full Load	fpm (mm/sec)	74.8 (380)			74.8 (380)			
		No Load	fpm (mm/sec)	133.9 (680)			133.9 (680)			
	Lowering	Full Load	fpm (mm/sec)	108.3 (550)			108.3 (550)			
		No Load	fpm (mm/sec)	116.1 (590)			116.1 (590)			
Reach / Retract	Full Load	sec	2.9			3.0				
	No Load	sec	1.8			2.1				
Gradeability	Full Load	%	10			10				
	No Load	%	15			15				
TRUCK WEIGHTS				RRE140H BATTERY COMPARTMENT SIZE			RRE160H BATTERY COMPARTMENT SIZE			
				10.8"	13.7"	16.5"	10.8"	13.7"	16.5"	19.3"
Total Weight	Without Battery	lb (kg)		5965 (2705)			5982 (2713)			
TIRES				RRE140H BATTERY COMPARTMENT SIZE			RRE160H BATTERY COMPARTMENT SIZE			
				10.8"	13.7"	16.5"	10.8"	13.7"	16.5"	19.3"
Tires	Tire Type	Drive/Load		Cushion			Cushion			
	Wheels (x = driven)	Drive/Load		1x/2			1x/2			
	Size (dia. X width)	Drive	in (mm)	13.5 x 5.5 (343 x 140)			13.5 x 5.5 (343 x 140)			
Brake Type	Load	in (mm)		11.8 x 4.2 (300 x 106)			11.8 x 4.2 (300 x 106)			
				Electric Disc			Electric Disc			
POWER SYSTEM				RRE140H BATTERY COMPARTMENT SIZE			RRE160H BATTERY COMPARTMENT SIZE			
				10.8"	13.7"	16.5"	10.8"	13.7"	16.5"	19.3"
Battery Type				Lead Acid			Lead Acid			
Battery (6-hour ratings) ²	Battery Dimensions	Length	in (mm)	10.8 (275)	13.7 (347)	16.5 (419)	10.8 (275)	13.7 (347)	16.5 (419)	19.3 (491)
		Width	in (mm)	47.7 (1212)			47.7 (1212)			
		Height	in (mm)	30.9 (784)			30.9 (784)			
	Voltage/ Capacity	Maximum	V / Ah	48 / 465	48 / 620	48 / 775	48 / 465	48 / 620	48 / 775	48 / 930
		Weight	Minimum	lb (kg)	1510 (685)	1929 (875)	2326 (1055)	1510 (685)	1929 (875)	2326 (1055)
	Maximum	lb (kg)	1819 (825)	2271 (1030)	2723 (1235)	1819 (825)	2271 (1030)	2723 (1235)	3175 (1440)	
Electric Motors	Drive	hp (kw)		12.1 (9)			12.1 (9)			
	Load Handling	hp (kw)		14.8 (11)			14.8 (11)			
Control Type	Drive			AC			AC			
	Load Handling			AC			AC			
	Power Steering			AC			AC			

1 Please contact your local Toyota dealer for more information regarding specifications.
 2 Battery case must match dimensions and designated case design for proper battery retention

MODEL NUMBERS

GENERAL DATA				RRE180H			RRE200H		
Load Capacity ¹		lb (kg)		3900 (1800)			4400 (2000)		
Load Center		in (mm)		24 (600)			24 (600)		
Battery Compartment Size				13.7	16.5	19.3	13.7	16.5	19.3
Power Type				Battery			Battery		
Operator Position				Rider Seated			Rider Seated		
EXTERIOR DIMENSIONS				RRE180H BATTERY COMPARTMENT SIZE			RRE200H BATTERY COMPARTMENT SIZE		
				13.7"	16.5"	19.3"	13.7"	16.5"	19.3"
A	Fork Lowered Height		in (mm)	2.2 (55)			2.2 (55)		
B	Maximum Fork Height (MFH) ¹		in (mm)	511.8 (13000)			511.8 (13000)		
C	Free Lift		in (mm)	157.1 (3991)			157.1 (3991)		
D	Tilt Range	Fwd/Bwd	deg	2/4			2/4		
E	Mast Lowered Height ¹		in (mm)	195.4 (4963)			195.4 (4963)		
F	Mast Extended Height ¹		in (mm)	551.3 (14003)			551.3 (14003)		
G	Overhead Guard Height		in (mm)	89 (2261)			89 (2261)		
H	Fork Carriage Height		in (mm)	39.4 (1000)			39.4 (1000)		
I	Seat Height		in (mm)	47.2 (1198)			47.2 (1198)		
J	Optional Battery Roller Height		in (mm)	14 (356)			14 (356)		
K	Wheelbase		in (mm)	57.3 (1455)			59.6 (1515)		
L	Underclearance (center of wheelbase)	No Load	in (mm)	2.9 (74)			2.9 (74)		
M	Head Length (Length to fork face)		in (mm)	54.2 (1377)	57 (1449)	59.9 (1521)	54.2 (1377)	57 (1449)	59.9 (1521)
N	Truck Length (Length to tip of forks, retracted)		in (mm)	99.5 (2527)	102.3 (2599)	105.2 (2671)	102 (2590)	104.8 (2662)	107.6 (2734)
O	Fork Size	T x W x L	in (mm)	1.57 x 4 x 45.28 (40 x 100 x 1150)			1.57 x 4 x 45.28 (40 x 100 x 1150)		
P	Fork Adjustment	Min./Max.	in (mm)	10.7 / 28.3 (272 / 718)			10.7 / 28.3 (272 / 718)		
Q	Base Leg Inside Dimension (ID)		in (mm)	35.4 - 51.2 (900 - 1300)			35.4 - 51.2 (900 - 1300)		
R	Base Leg Outside Dimension (OD)		in (mm)	50.0 - 65.7 (1270 - 1670)			50.0 - 65.7 (1270 - 1670)		
S	Truck Mast Overall Width		in (mm)	30 (761)			30 (761)		
T	Overall Truck Width		in (mm)	50.0 - 65.7 (1270 - 1670)			50.0 - 65.7 (1270 - 1670)		
U	Outside Turning Radius		in (mm)	67.6 (1717)			72.4 (1840)		
	Reach Stroke		in (mm)	23.4 (594)			25.7 (654)		
	Basic Right Angle Stacking Aisle Width ¹			Contact Dealer			Contact Dealer		
PERFORMANCE DATA				RRE180H BATTERY COMPARTMENT SIZE			RRE200H BATTERY COMPARTMENT SIZE		
				13.7"	16.5"	19.3"	13.7"	16.5"	19.3"
Speeds (Maximum)	Travel	Full Load	mph (km/h)	6.8 (11)			6.8 (11)		
		No Load	mph (km/h)	6.8 (11)			6.8 (11)		
	Lifting	Full Load	fpm (mm/sec)	90.6 (460)			84.6 (430)		
		No Load	fpm (mm/sec)	133.9 (680)			133.9 (680)		
	Lowering	Full Load	fpm (mm/sec)	108.3 (550)			108.3 (550)		
		No Load	fpm (mm/sec)	118.1 (600)			118.1 (600)		
Reach / Retract	Full Load	sec	2.97			3.27			
	No Load	sec	2.12			2.34			
Gradeability	Full Load	%	10			10			
	No Load	%	15			15			
TRUCK WEIGHTS				RRE180H BATTERY COMPARTMENT SIZE			RRE200H BATTERY COMPARTMENT SIZE		
				13.7"	16.5"	19.3"	13.7"	16.5"	19.3"
Total Weight	Without Battery		lb (kg)	6688 (3033)			7091 (3216)		
TIRES				RRE180H BATTERY COMPARTMENT SIZE			RRE200H BATTERY COMPARTMENT SIZE		
				13.7"	16.5"	19.3"	13.7"	16.5"	19.3"
Tires	Tire Type	Drive/Load		Cushion			Cushion		
	Wheels (x = driven)	Drive/Load		1x/2			1x/2		
	Size (dia. X width)	Drive	in (mm)	14.2 x 6.3 (360 x 160)			14.2 x 6.3 (360 x 160)		
Brake Type		Load	in (mm)	13.8 x 4.2 (350 x 106)			13.8 x 4.2 (350 x 106)		
				Electric Disc			Electric Disc		
POWER SYSTEM				RRE180H BATTERY COMPARTMENT SIZE			RRE200H BATTERY COMPARTMENT SIZE		
				13.7"	16.5"	19.3"	13.7"	16.5"	19.3"
Battery Type				Lead Acid			Lead Acid		
Battery (6-hour ratings) ²	Battery Dimensions	Length	in (mm)	13.7 (347)	16.5 (419)	19.3 (491)	13.7 (347)	16.5 (419)	19.3 (491)
		Width	in (mm)	47.7 (1212)			47.7 (1212)		
		Height	in (mm)	30.9 (784)			30.9 (784)		
	Voltage/ Capacity	Maximum	V / Ah	48 / 620	48 / 775	48 / 930	48 / 620	48 / 775	48 / 930
		Weight	Minimum	lb (kg)	1929 (875)	2326 (1055)	2756 (1250)	1929 (875)	2326 (1055)
Electric Motors	Drive		hp (kw)	14.1 (10.5)			14.1 (10.5)		
	Load Handling		hp (kw)	20.1 (15)			20.1 (15)		
Control Type	Drive			AC			AC		
	Load Handling			AC			AC		
	Power Steering			AC			AC		

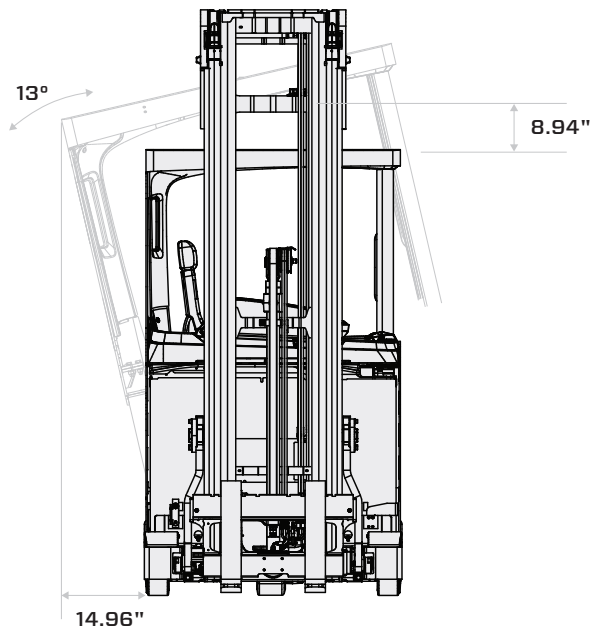
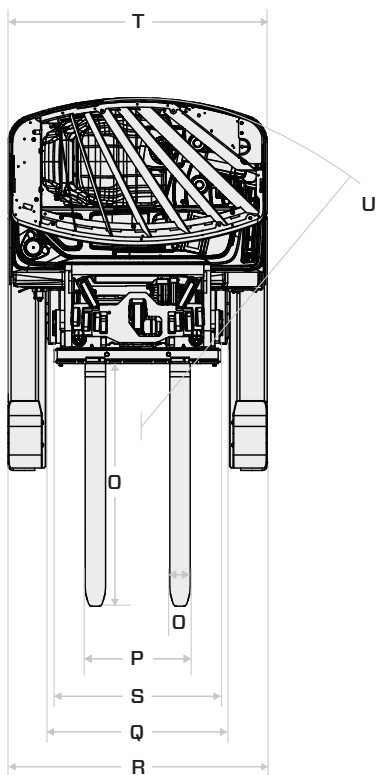
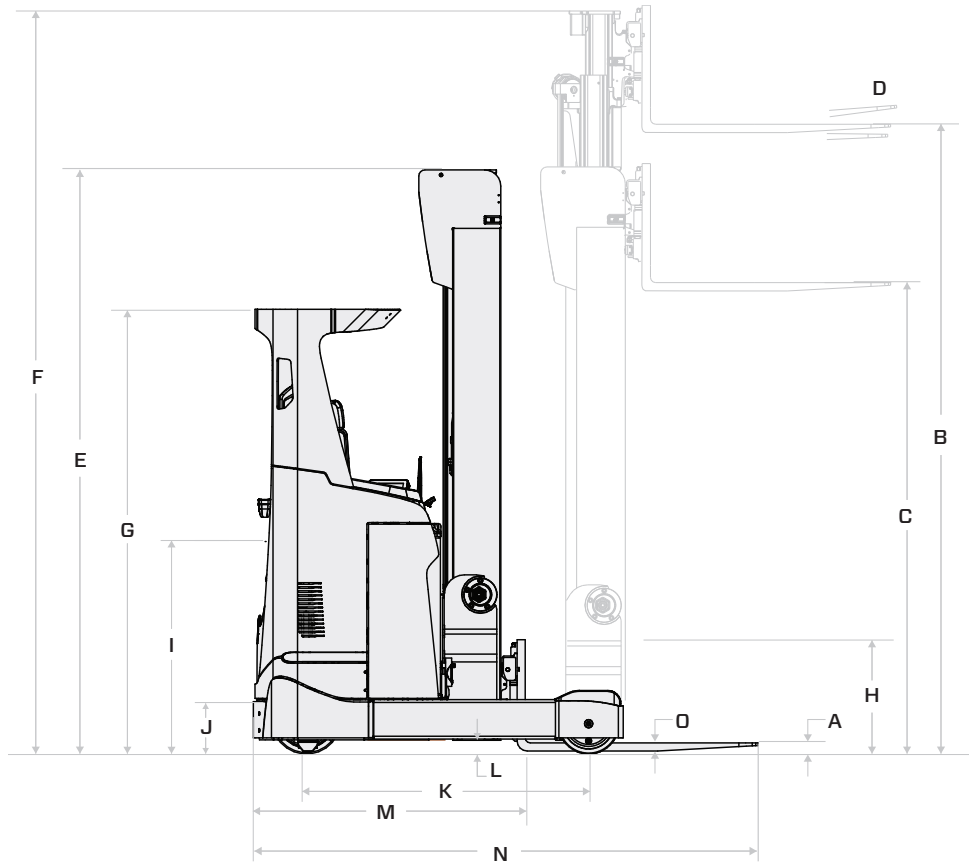
1 Please contact your local Toyota dealer for more information regarding specifications.
 2 Battery case must match dimensions and designated case design for proper battery retention

MAIN VEHICLE SPECIFICATIONS

GENERAL DATA				MODEL NUMBERS	
				RRE250H	
Load Capacity ¹		lb (kg)		5500 (2500)	
Load Center		in (mm)		24 (600)	
Battery Compartment Size			16.5		19.3
Power Type				Battery	
Operator Position				Rider Seated	
EXTERIOR DIMENSIONS				RRE250H	
				BATTERY COMPARTMENT SIZE	
				16.5"	19.3"
A	Fork Lowered Height		in (mm)	2.2 (55)	
B	Maximum Fork Height (MFH) ¹		in (mm)	511.8 (13000)	
C	Free Lift		in (mm)	129.1 (3279)	
D	Tilt Range	Fwd/Bwd	deg	2/4	
E	Mast Lowered Height ¹		in (mm)	195.4 (4963)	
F	Mast Extended Height ¹		in (mm)	551.3 (14003)	
G	Overhead Guard Height		in (mm)	89 (2261)	
H	Fork Carriage Height		in (mm)	39.4 (1000)	
I	Seat Height		in (mm)	47.2 (1198)	
J	Optional Battery Roller Height		in (mm)	14 (356)	
K	Wheelbase		in (mm)	62 (1575)	
L	Underclearance (center of wheelbase)	No Load	in (mm)	2.9 (74)	
M	Head Length (Length to fork face)		in (mm)	59.2 (1504)	62 (1576)
N	Truck Length (Length to tip of forks, retracted)		in (mm)	104.5 (2654)	107.3 (2726)
O	Fork Size	T x W x L	in (mm)	1.57 x 4 x 45.28 (40 x 100 x 1150)	
P	Fork Adjustment	Min./Max.	in (mm)	10.7 / 28.3 (272 / 718)	
Q	Base Leg Inside Dimension (ID)		in (mm)	35.4 - 51.2 (900 - 1300)	
R	Base Leg Outside Dimension (OD)		in (mm)	50.0 - 65.7 (1270 - 1670)	
S	Truck Mast Overall Width		in (mm)	30 (761)	
T	Overall Truck Width		in (mm)	50.0 - 65.7 (1270 - 1670)	
U	Outside Turning Radius		in (mm)	72.3 (1837)	
	Reach Stroke		in (mm)	24 (609)	
	Basic Right Angle Stacking Aisle Width ¹			Contact Dealer	
PERFORMANCE DATA				RRE250H	
				BATTERY COMPARTMENT SIZE	
				16.5"	19.3"
Speeds (Maximum)	Travel	Full Load	mph (km/h)	6.8 (11)	
		No Load	mph (km/h)	6.8 (11)	
	Lifting	Full Load	fpm (mm/sec)	72.8 (370)	
		No Load	fpm (mm/sec)	126 (640)	
	Lowering	Full Load	fpm (mm/sec)	104.3 (530)	
		No Load	fpm (mm/sec)	114.2 (580)	
	Reach / Retract	Full Load	sec	3.05	
		No Load	sec	2.16	
Gradeability	Full Load	%	7		
	No Load	%	12		
TRUCK WEIGHTS				RRE250H	
				BATTERY COMPARTMENT SIZE	
				16.5"	19.3"
Total Weight	Without Battery		lb (kg)	8244 (3739)	
TIRES				RRE250H	
				BATTERY COMPARTMENT SIZE	
				16.5"	19.3"
Tires	Tire Type	Drive/Load		Cushion	
	Wheels (x = driven)	Drive/Load		1x/2	
	Size (dia. X width)	Drive	in (mm)	14.2 x 6.3 (360 x 160)	
Load		in (mm)	13.8 x 4.2 (350 x 106)		
Brake Type				Electric Disc	
POWER SYSTEM				RRE250H	
				BATTERY COMPARTMENT SIZE	
				16.5"	19.3"
Battery Type				Lead Acid	
Battery (6-hour ratings) ²	Battery Dimensions	Length	in (mm)	16.5 (419)	19.3 (491)
		Width	in (mm)	47.7 (1212)	
		Height	in (mm)	30.9 (784)	
	Voltage/ Capacity	Maximum	V / Ah	48 / 775	48 / 930
		Weight	lb (kg)	2326 (1055)	2756 (1250)
Electric Motors	Drive	hp (kw)		14.1 (10.5)	
	Load Handling	hp (kw)		20.1 (15)	
Control Type	Drive			AC	
	Load Handling			AC	
	Power Steering			AC	

¹ Please contact your local Toyota dealer for more information regarding specifications.
² Battery case must match dimensions and designated case design for proper battery retention

EXTERIOR DIMENSIONS



MAST SPECIFICATIONS

MAST TYPE	MAXIMUM FORK HEIGHT (TOP OF FORKS)	OVERALL HEIGHT		FREE LIFT	TILT RANGE	
		LOWERED	EXTENDED		WITH STANDARD LOAD BACKREST	FWD
			in (mm)	WITH STANDARD LOAD BACKREST in (mm)		
RRE140H						
Wide View Full-Free Lift Three-Stage Mast (FSV)	193 (4900)	86 (2187)	232 (5898)	49 (1245)	2	4
	213 (5400)	93 (2354)	252 (6399)	56 (1413)	2	4
	224 (5700)	97 (2454)	264 (6699)	60 (1513)	2	4
	248 (6300)	104 (2654)	287 (7299)	67 (1713)	2	4
	276 (7000)	114 (2887)	315 (7998)	77 (1945)	2	4
	285 (7250)	117 (2971)	325 (8250)	80 (2029)	2	4
	295 (7500)	120 (3054)	335 (8499)	83 (2113)	2	4
	315 (8000)	127 (3221)	354 (9000)	90 (2279)	2	4
	335 (8500)	133 (3387)	374 (9498)	96 (2445)	2	4
	354 (9000)	140 (3554)	394 (9999)	103 (2613)	2	4
	374 (9500)	146 (3721)	413 (10500)	109 (2779)	2	4
	394 (10000)	153 (3887)	433 (10998)	116 (2945)	2	4
	404 (10250)	156 (3971)	443 (11249)	119 (3029)	2	4
	413 (10500)	160 (4054)	453 (11499)	123 (3113)	2	4
433 (11000)	166 (4221)	472 (12000)	129 (3279)	2	4	

MAST TYPE	MAXIMUM FORK HEIGHT (TOP OF FORKS)	OVERALL HEIGHT		FREE LIFT	TILT RANGE	
		LOWERED	EXTENDED		WITH STANDARD LOAD BACKREST	FWD
			in (mm)	WITH STANDARD LOAD BACKREST in (mm)		
RRE160H						
Wide View Full-Free Lift Three-Stage Mast (FSV)	193 (4900)	86 (2187)	235 (5968)	49 (1245)	2	4
	213 (5400)	93 (2354)	252 (6399)	56 (1413)	2	4
	224 (5700)	97 (2454)	264 (6699)	60 (1513)	2	4
	248 (6300)	104 (2654)	287 (7299)	67 (1713)	2	4
	276 (7000)	114 (2887)	315 (7998)	77 (1945)	2	4
	285 (7250)	117 (2971)	325 (8250)	80 (2029)	2	4
	295 (7500)	120 (3054)	335 (8499)	83 (2113)	2	4
	315 (8000)	127 (3221)	354 (9000)	90 (2279)	2	4
	335 (8500)	133 (3387)	374 (9498)	96 (2445)	2	4
	354 (9000)	140 (3554)	394 (9999)	103 (2613)	2	4
	374 (9500)	146 (3721)	413 (10500)	109 (2779)	2	4
	394 (10000)	153 (3887)	433 (10998)	116 (2945)	2	4
	404 (10250)	156 (3971)	443 (11249)	119 (3029)	2	4
	413 (10500)	160 (4054)	453 (11499)	123 (3113)	2	4
433 (11000)	166 (4221)	472 (12000)	129 (3279)	2	4	

MAST TYPE	MAXIMUM FORK HEIGHT (TOP OF FORKS)	OVERALL HEIGHT		FREE LIFT	TILT RANGE	
		LOWERED	EXTENDED		WITH STANDARD LOAD BACKREST	FWD
			in (mm)	WITH STANDARD LOAD BACKREST in (mm)		
RRE180H						
Wide View Full-Free Lift Three-Stage Mast (FSV)	191 (4850)	89 (2249)	231 (5855)	51 (1283)	2	4
	213 (5400)	96 (2432)	252 (6404)	58 (1467)	2	4
	224 (5700)	100 (2532)	264 (6704)	62 (1567)	2	4
	248 (6300)	108 (2732)	288 (7304)	70 (1767)	2	4
	276 (7000)	117 (2966)	315 (8006)	79 (2001)	2	4
	295 (7500)	123 (3132)	335 (8504)	85 (2167)	2	4
	315 (8000)	130 (3299)	355 (9005)	92 (2333)	2	4
	335 (8500)	136 (3466)	374 (9506)	98 (2501)	2	4
	354 (9000)	143 (3632)	394 (10004)	105 (2667)	2	4
	374 (9500)	150 (3799)	414 (10505)	112 (2833)	2	4
	394 (10000)	156 (3966)	433 (11006)	118 (3001)	2	4
	413 (10500)	163 (4132)	453 (11504)	125 (3167)	2	4
	433 (11000)	169 (4299)	473 (12005)	131 (3333)	2	4
	453 (11500)	176 (4463)	492 (12503)	137 (3491)	2	4
	472 (12000)	182 (4630)	512 (13004)	144 (3659)	2	4
	492 (12500)	189 (4797)	532 (13505)	151 (3825)	2	4
512 (13000)	195 (4963)	551 (14003)	157 (3991)	2	4	

MAST TYPE	MAXIMUM FORK HEIGHT (TOP OF FORKS)	OVERALL HEIGHT		FREE LIFT	TILT RANGE	
		LOWERED	EXTENDED	WITH STANDARD LOAD BACKREST	FWD	BWD
			WITH STANDARD LOAD BACKREST			
RRE200H						
Wide View Full-Free Lift Three-Stage Mast (FSV)	191 (4850)	89 (2249)	231 (5855)	51 (1283)	2	4
	213 (5400)	96 (2432)	252 (6404)	58 (1467)	2	4
	224 (5700)	100 (2532)	264 (6704)	62 (1567)	2	4
	248 (6300)	108 (2732)	288 (7304)	70 (1767)	2	4
	276 (7000)	117 (2966)	315 (8006)	79 (2001)	2	4
	295 (7500)	123 (3132)	335 (8504)	85 (2167)	2	4
	315 (8000)	130 (3299)	355 (9005)	92 (2333)	2	4
	335 (8500)	136 (3466)	374 (9506)	98 (2501)	2	4
	354 (9000)	143 (3632)	394 (10004)	105 (2667)	2	4
	374 (9500)	150 (3799)	414 (10505)	112 (2833)	2	4
	394 (10000)	156 (3966)	433 (11006)	118 (3001)	2	4
	413 (10500)	163 (4132)	453 (11504)	125 (3167)	2	4
	433 (11000)	169 (4299)	473 (12005)	131 (3333)	2	4
	453 (11500)	176 (4463)	492 (12503)	137 (3491)	2	4
	472 (12000)	182 (4630)	512 (13004)	144 (3659)	2	4
492 (12500)	189 (4797)	532 (13505)	151 (3825)	2	4	
512 (13000)	195 (4963)	551 (14003)	157 (3991)	2	4	

MAST TYPE	MAXIMUM FORK HEIGHT (TOP OF FORKS)	OVERALL HEIGHT		FREE LIFT	TILT RANGE	
		LOWERED	EXTENDED	WITH STANDARD LOAD BACKREST	FWD	BWD
			WITH STANDARD LOAD BACKREST			
RRE250H						
Wide View Full-Free Lift Three-Stage Mast (FSV)	191 (4850)	89 (2249)	231 (5855)	51 (1283)	2	4
	213 (5400)	96 (2432)	252 (6404)	58 (1467)	2	4
	224 (5700)	100 (2532)	264 (6704)	62 (1567)	2	4
	248 (6300)	108 (2732)	288 (7304)	70 (1767)	2	4
	276 (7000)	117 (2966)	315 (8006)	79 (2001)	2	4
	295 (7500)	123 (3132)	335 (8504)	85 (2167)	2	4
	315 (8000)	130 (3299)	355 (9005)	92 (2333)	2	4
	335 (8500)	136 (3466)	374 (9506)	98 (2501)	2	4
	354 (9000)	143 (3632)	394 (10004)	105 (2667)	2	4
	374 (9500)	150 (3799)	414 (10505)	112 (2833)	2	4
	394 (10000)	156 (3966)	433 (11006)	118 (3001)	2	4
	413 (10500)	163 (4132)	453 (11504)	125 (3167)	2	4
	433 (11000)	169 (4299)	473 (12005)	131 (3333)	2	4
	453 (11500)	176 (4463)	492 (12503)	137 (3491)	2	4
	472 (12000)	182 (4630)	512 (13004)	144 (3659)	2	4
492 (12500)	189 (4797)	532 (13505)	151 (3825)	2	4	
512 (13000)	195 (4963)	551 (14003)	157 (3991)	2	4	

NOTE: Height of standard load backrest is 39.4 in (1000 mm).



WORLD-CLASS MATERIAL HANDLING SOLUTIONS

PARTNER WITH TOYOTA, AND LET US HELP DEVELOP THE RIGHT SOLUTION FOR YOU.

With access to the world's industry-leading lineup of material handling products, Toyota dealers are uniquely positioned to help you solve your wide-ranging challenges. Built for every application, Toyota can provide the most complete set of solutions for material handling, automation, energy, advanced logistics, and warehouse optimization.

Toyota is here to help optimize your business for maximum efficiency. Utilizing Toyota Lean Management principles, Toyota dealers can provide insights and develop appropriate plans to tackle your specific operational needs. This unique approach to optimization and elimination of waste can provide you with significant competitive advantages and a sustainable lean culture for lasting process improvement.

Visit us at: [ToyotaForklift.com](https://www.toyotaforklift.com) for more information.

